

# LIFTING MAGNETS

D-PML / D-PML-R

**UMETA**  
fast. safe. easy.



D-PML 10 & D-PML 1



# LIFTING MAGNETS

*Universal - for a wide range of applications*

## **D-PML**

The D-PML lifting magnet (standard version) is the perfect tool because of its broad field of application. The D-PML achieves good results with both large air gaps as well as with thin and round material with its compact design and low weight.

The device is tested by the German TÜV Südwest and stands out because of its great robustness and a very good price-performance ratio.

The D-PML lifting magnet is also available in a version that includes a rear crane eye for towing applications or that includes pole-shoes for distinctive work pieces with special geometrics.



D-PML 6



*Optional with lifting eye*



D-PML 10



# LIFTING MAGNETS

Universal - for a wide range of applications

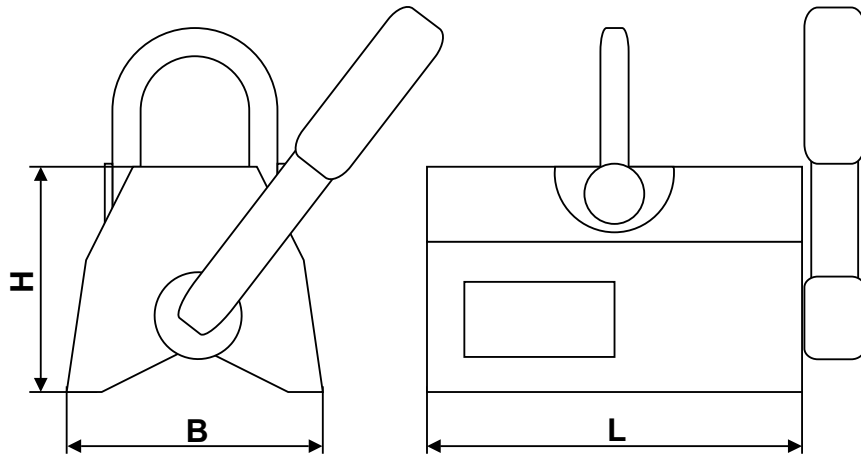
## D-PML

### Technical specifications

Model	D-PML 1	D-PML 3	D-PML 6	D-PML 10	D-PML 20
Max. capacity, flat (kg)	100	300	600	1000	2000
Max. capacity, round	50-150mm, 50kg	60-300mm, 150kg	80-300mm, 300kg	80-300mm, 500kg	150-450mm, 1000kg
Max. capacity from (mm)	12	15	20	30	45
L (mm)	88	158	228	258	378
B (mm)	62	92	122	176	215
H (mm)	64	88	112	158	206
Tested capacity (kg)	350	1050	2100	3500	7000
Weight (kg)	2,6	9	22	48	110
Max. operating temperature (°C)	80	80	80	80	80

\*Painted yellow

All information is subject to printing-, typing errors and modifications.



# LIFTING MAGNETS

*Especially suitable for round materials*

## **D-PML-R**

The D-PML-R lifting magnet range is perfect for the handling of round material. Equipped with an extra-deep, flat-angle V-block, the magnet field penetrates deeply into the round material and therefore also ensures a secure grip on materials with bad surface properties.

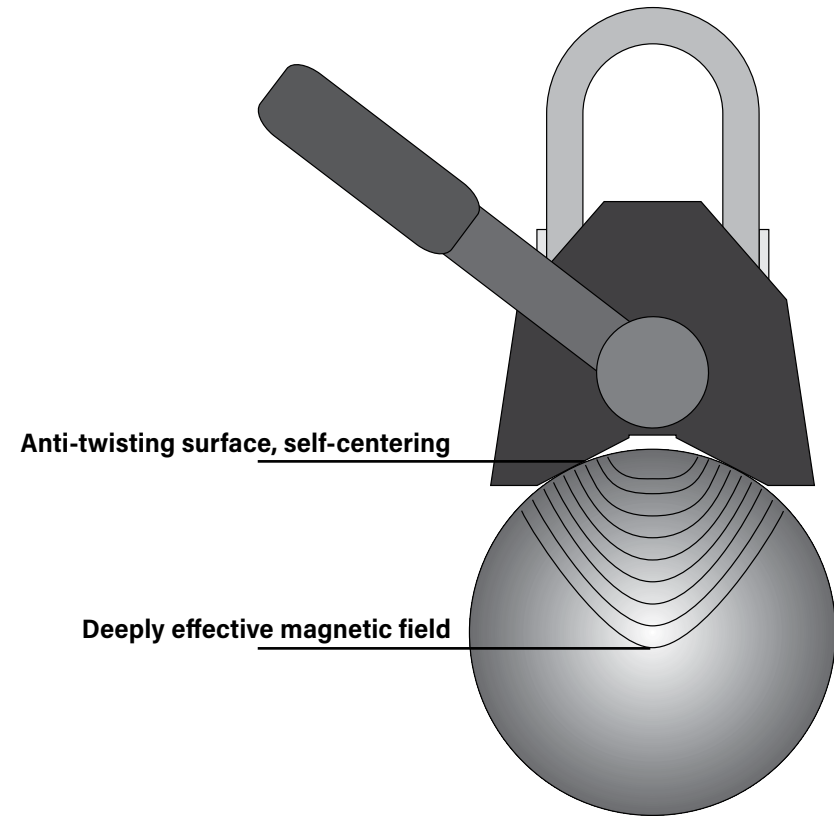
The D-PML-R lifting magnet, with its distinct V-block, lies centred on cylindrical loads and stops twisting movements mechanically.

The magnet system can be operated smoothly due to the extensive surface contact with the material and does not recoil when detaching.

The D-PML-R is particularly suitable for lifting sheets with a material thickness from of 6 mm.

The wide construction provides more stability and rigidity to the work piece and the tapered pole shoe ensures maximal magnetic flux density.

The distinct V block is also advantageous when handling hot work pieces as the magnet system is far from the work piece and air can flow through the V-block opening.



# LIFTING MAGNETS

*Especially suitable for round materials*

## D-PML-R

### Technical specifications

Model	D-PML-R 1	D-PML-R 3	D-PML-R 6	D-PML-R 10
Max. capacity, flat (kg)	100	300	600	1000
Max. capacity, round	40-150mm, 60kg / -	60-200mm, 200kg / -	60-200mm, 400kg / 200-300mm, 450kg	80-300mm, 500kg / 200-360mm, 750kg
Max. capacity from (mm)	10	10	15	25
L (mm)	90	160	230	270
B (mm)	86	123	194	279
H (mm)	75	115	145	205
V block (depth x width mm)	10 x 60	20 x 90	29 x 142	42 x 225
Weight (kg)	3	11	29	70
Max. operating temperature (°C)	80	80	80	80

*All information is subject to printing-, typing errors and modifications.*

